



Model 62A02-1 Hi-Fi Zone Amplifier Card (ZAC)

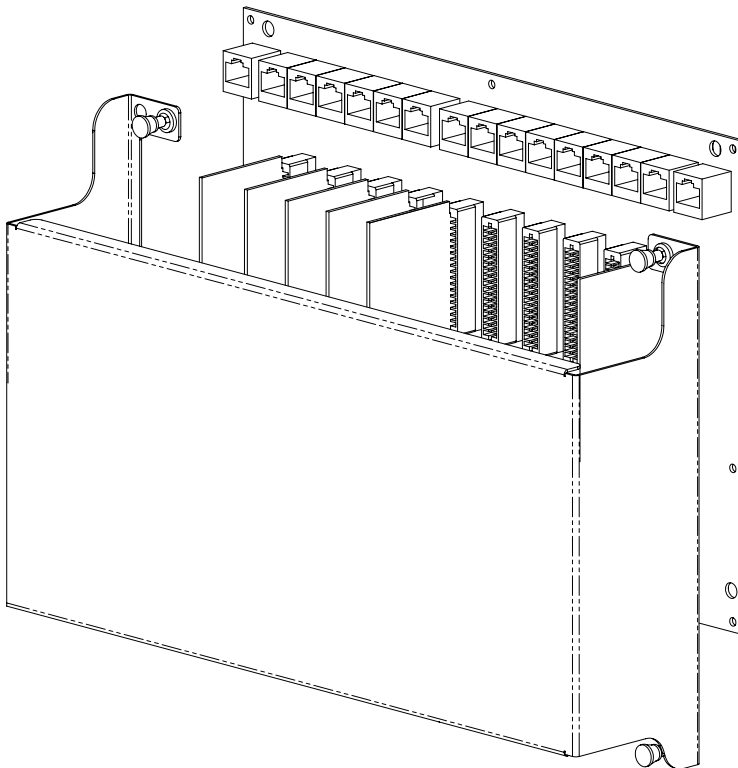
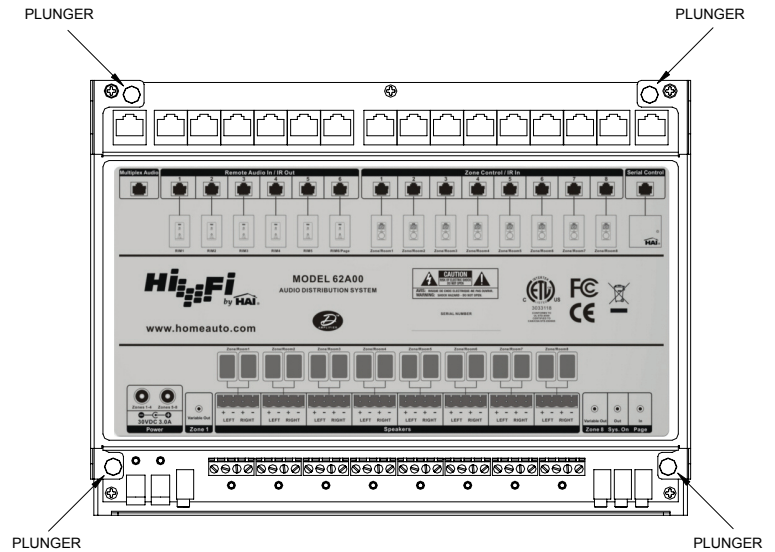
DESCRIPTION

Zone Amplifier Cards (ZAC) can be added at any time to increase the total number of zones to eight.

INSTALLATION

To install a Zone Amplifier Card:

- 1) Power down the Hi-Fi system by unplugging both Power Supply units (if applicable) from the inputs labeled "Power" on the Hi-Fi Main Assembly.
- 2) Pull upward on each of the 4 plungers until you hear them snap



- 3) Remove the cover from the Hi-Fi Main Assembly by lifting it away from the Hi-Fi circuit board.

- 4) Install additional Zone Amplifier Cards in an empty connector (CN5-CN8) by positioning the Zone Amplifier Card directly over the connector and gently but firmly pushing down on both sides of the card until the top and bottom are securely seated into the connector.
- 5) Replace the cover by pushing down on each of the 4 plungers until you hear them snap.
- 6) Reconnect each Power Supply.

